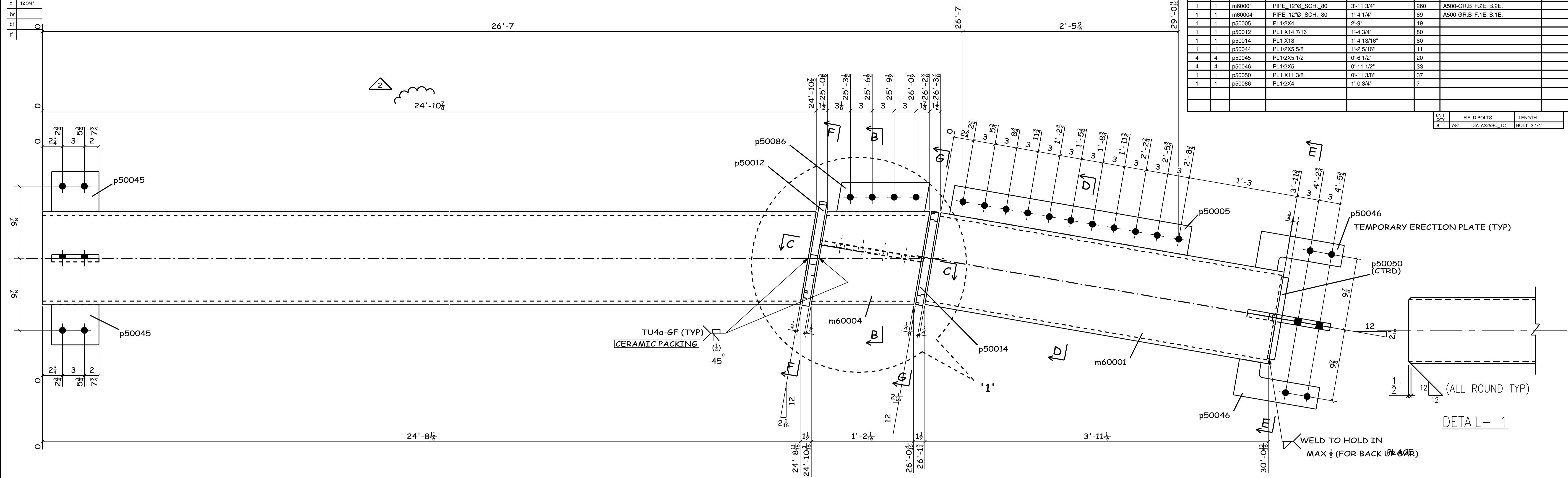


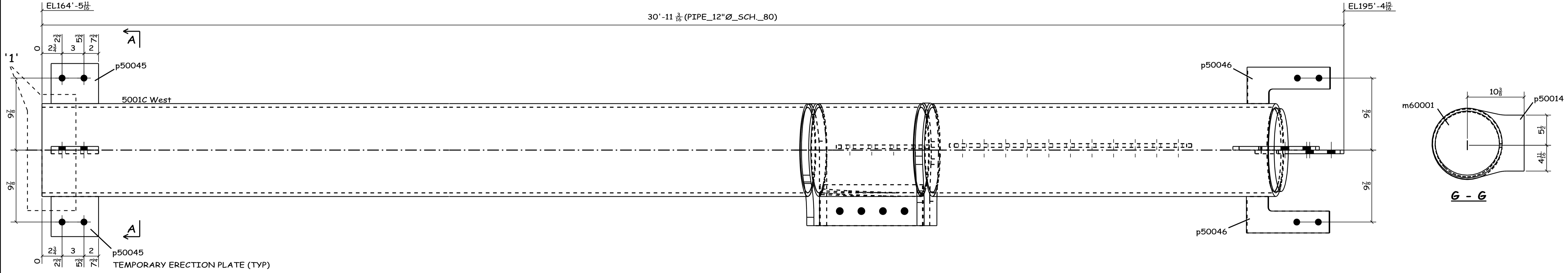
d	12 3/4"
tw	
bf	
tf	

TOTAL QTY	UNIT QTY	MARK	DESCRIPTION	LENGTH	UNIT WT.	REMARKS	PGLN
1	1	5001C	COLUMN				
1	1	5001C	PIPE 12"Ø SCH. 80	24'-10 7/8"	1627	A500-GR.B F.2E P.1E B.1E.	
1	1	m60001	PIPE 12"Ø SCH. 80	3'-11 3/4"	260	A500-GR.B F.2E B.2E.	
1	1	m60004	PIPE 12"Ø SCH. 80	1'-4 1/4"	89	A500-GR.B F.1E B.1E.	
1	1	p50005	PL1/2X4	2'-9"	19		
1	1	p50012	PL1 X14 7/16	1'-4 3/4"	80		
1	1	p50014	PL1 X13	1'-4 13/16"	80		
1	1	p50044	PL1/2X5 5/8	1'-2 5/16"	11		
4	4	p50045	PL1/2X5 1/2	0'-6 1/2"	20		
4	4	p50046	PL1/2X5	0'-11 1/2"	33		
1	1	p50050	PL1 X11 3/8	0'-11 3/8"	37		
1	1	p50086	PL1/2X4	1'-0 3/4"	7		

UNIT	FIELD BOLTS	LENGTH
8	7/8" DIA A325SC TC	BOLT 2 1/4"



DETAIL - 1



G - G

A - A

B - B

C - C

D - D

E - E

F - F

1 - COLUMN - 5001C

DETAIL - 1

SHIP	GRID LOC.	ELEV.	REF.	I.D. No.
300	10.3-10.4A.B.1	191-47716		11588977

SHOP NOTES:
 * = THE SIDE TO BE STRIPED
 * ALL COPES TO BE RADIUS'D

SHOP BOLTS A325N_TC	HOLES (U.N.) 15/16Ø	ALL MATERIAL TO BE ASTM A-36 (U.N.)
SHOP PAINT Tnemec 90-97	SURF. PREP SSPC-SP6	DRY FIL THK ALL WELOS TO BE MADE WITH ELECTRODE SERIES E70XX (LH)

PROJECT: UNIVERSITY OF MASSACHUSETTS AMHERST, MA.
 CENTRAL HEATING PLANT-MAIN BUILDING

DRAWN BY: RP	DATE: 09/07/2006	CHECKED BY: SJ	DATE: 10.17.06
CONTRACT NO. 1890		SHEET NO. 5001C	

REV	DATE	REMARKS
2	10.25.06	PLATE DIMENSION CHANGED SJ
1	10.18.06	GENERAL REVISION SJ